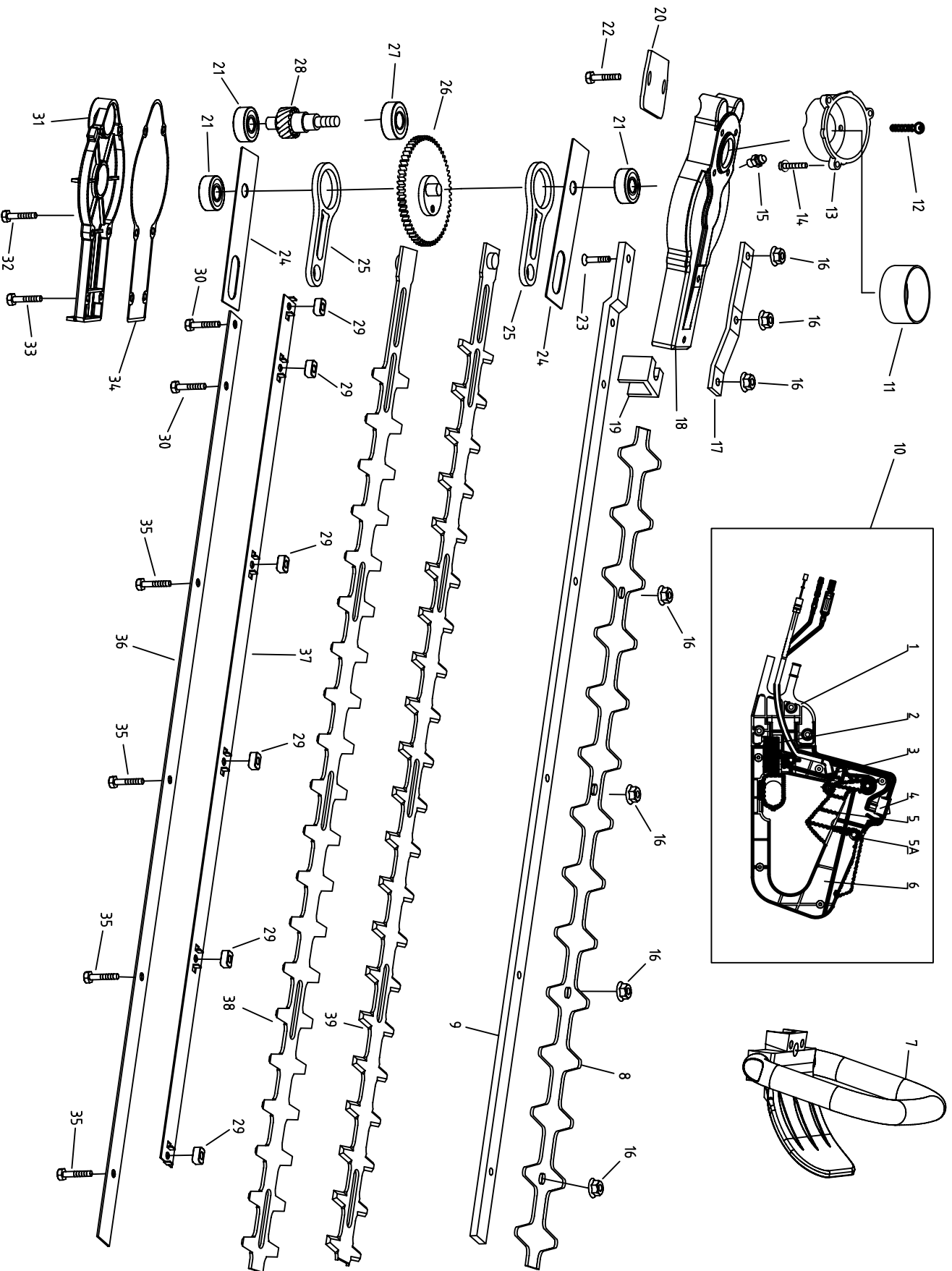


# The Parts List of Model SLP600A Hedge-Trimmer



NO.	PART NO.	PART NAME	QTY.
1	SLP600A.1-5/6	Linker	1
2	SLP600A.1-2	Hand Grip	1
3	SLP600A.1-12	mandril	1
4	SLP600A.1.1	Stop Button COM.	1
5	SLP600A.1-4	Hand Grip	1
5A	SLP600A.1-10	Hand Grip	1
6	SLP600A.1-7/8	Handle	1
7	SLP600B.2	Hand Grip	1
8	SLP600.3-1-3	Blade Cover	1
9	BL750.4.2-2-1	Blade Stand	1
10	SLP600A.1	Handle	1
11	SL750.2.1	Clutch Drum Comp.	1
12	GB9074.4	Screw M5 x 12	4
13	SL750.2-3	Clutch Case	1
14	GB9074.4	Screw M5 x 16	3
15	GB1152	Fuel Cup M6	1
16	GB6177	Nut M5	9
17	BL750.4.2-8	Cushion	1
18	SLP600B.3-4	Clutch Case	1
19	SLP600B.3-5	Felt	1
20	SLP600-1	Cushion	1
21	GB/T276	Bearing 629/P5	3
22	GB9074.13	Screw M6 x 35	2
23	GB/T68	Bolt M5 x 20	1
24	BL750.4.2-4	Cushion	2
25	SLP600B.3-2	Crank Shaft	2
26	SLP600B.3.1	Gear and Brace ass'y	1
27	GB/T276	Bearing 6001-2RS/P5	1
28	SL750.2-1	Gear Shaft	1
29	BL750.4.2.2-2	Stand	6
30	GB29.2	Bolt M5 x 35	2
31	SLP600B.3-1	Case Cover	1
32	GB9074.13	Screw M5 x 20	4
33	GB9074.13	Screw M5 x 35	2
34	SLP600B.3-3	Gasket	1
35	GB29.2	Bolt M5 x 25	4
36	BL750.4.2.2-4	Blade Bracket	1
37	BL750.4.2.2-3	Orientation Cushion	1
38	SLP600.3.1-2	Blade, Lower	1
39	SLP600.3.1-1	Blade, Upper	1